

Dear Tech-Man Subscriber:

ADEMCO apologizes for any misunderstanding that has arisen due to our recent decision to have our technical information removed from the Tech-Man web site. You may appreciate that one of our key concerns is to provide installing security dealers with timely and accurate information on our products, and we were concerned about the data posted to the Tech-Man web site. For obvious reasons, we also do not wish unauthorized individuals to have access to information on installing and configuring ADEMCO systems. These concerns were what prompted us to ask Tech-Man to stop posting ADEMCO installation instructions and user manuals.

Several of you have written us to ask that we reconsider this decision. We have. We will not require Tech-Man to remove the ADEMCO data. ADEMCO, however, is not responsible for the operation and maintenance of this site - thus we cannot guarantee the timeliness or accuracy of the information posted on the Tech-Man web site.

The ADEMCO web site is located at [www.ademco.com](http://www.ademco.com) and contains accurate timely data about our products. You may request a PIN number for access to the ADEMCO Technical Support web site and FAXBACK system.

If you need assistance on troubleshooting, or if you have other technical questions about our products not addressed in the information posted at our web site, please contact ADEMCO Technical Support at 800-645-7492.

Thank you for understanding.

Sincerely,

Herb Lustig



# No. 4204CF

## SUPERVISED NOTIFICATION APPLIANCE MODULE INSTALLATION INSTRUCTIONS

### GENERAL INFORMATION

The 4204CF Supervised Notification Appliance Module adds up to 2 Class B (Style Y) Supervised Notification Appliance Outputs to compatible ADEMCO Control Panels (for more information on Style Y, see NFPA 72 National Fire Alarm Code Chapter 3: Protected Premises Fire Alarm Systems). Refer to your control panel's installation instructions to determine if it supports this module. Each output is supervised using a model 610-7 2K EOL resistor (2 resistors supplied).

Each appliance output is rated at 1.2A max. You can power these outputs from the Control Panel or from a supplementary UL864 commercial fire listed (power limited) power supply rated at 8-30 VDC (regulated)/VFW (full wave rectified, unfiltered).

The 4204CF connects to the control via the control's keypad wiring. From the Control Panel's keypad wiring, the 4204CF receives output activation commands and sends output supervision status back to the Control Panel.

The 4204CF has a built-in cover tamper switch, which allows it to detect and report the removal of its cover to the Control Panel.

### INSTALLATION

#### Mounting

For fire alarm installations, mount the 4204CF inside a U.L. 864 listed cabinet such as the control's cabinet or the supplementary power supply cabinet (if used). Cover tamper supervision is not required; to disable tamper supervision, set DIP switch Position 1 to the ON position.

- Cover tamper supervision is not supported by all control panels. For other (i.e. non-fire alarm) installations, a separate enclosure is not required. Mount the 4204CF directly on a surface using the slotted holes located on the back of its housing (mounting screws provided). Feed the wires through the slot on the side or through the breakout located on the back of the housing. Cover tamper supervision can be used, if supported by the control panel.
- Affix the connections label (provided) to the inside of the 4204CF's cover.

### Connections and Settings

Select and set an address for the 4204CF using its DIP switch settings as shown in Diagram 1. Assign a unique address to the 4204CF so that the control can communicate with it. Refer to the control's Installation Instructions to determine which address or range of addresses to use.

Make connections to the control's keypad wiring by using the 4-position terminal block TB1, or the 4-pin plug (plug cable provided). Make connections to the Notification Appliance Power input and outputs via the module's 12 position terminal block (TB2) (refer to Diagrams 2, 3 & 4).

- Only relay 1 (Output A) and relay 3 (Output B) may be programmed for activation. Refer to the control's Installation Instructions for programming output activation and supervision options.
- When programming 4204CF output activation options in the control panel, outputs must not be programmed to "Close for 2 Seconds." Any other option may be used, but do not program the relay to "Stop" in less than 10 seconds.

### SPECIFICATIONS

Physical 6-7/16" W x 4-1/4" H x 1-1/4" D  
(163mm x 108mm x 32mm)

#### Electrical

##### +12V Input

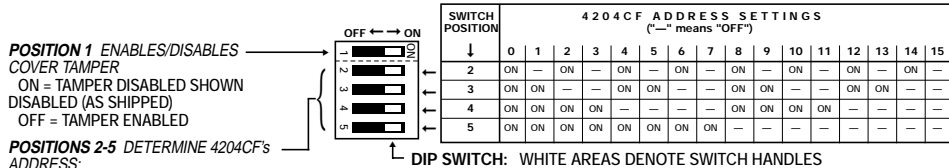
Input Voltage: +12VDC (10-14VDC)  
Input Current: 25mA + 80mA per active output

##### Notification Appliance Power Input

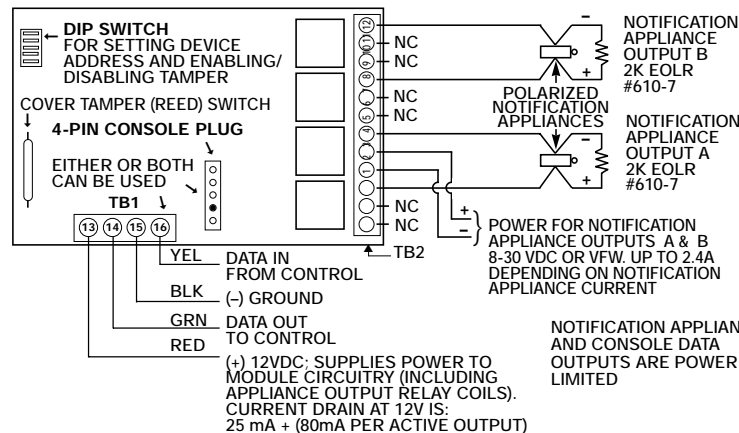
Input Voltage: 8-30 VDC or VFW  
Input Current: 0 mA when both outputs inactive. Up to 2.4A when both outputs are active

##### Notification Appliance Outputs

Output Voltage: Supplied by notification appliance power input  
Output Current: Each output must be limited to 1.2A max  
Miscellaneous: Outputs are supervised (Style Y) using 610-7 2K EOL resistor and are power limited. Refer to the instructions for the notification power supply used for a list of compatible indicating devices.



### SETTINGS



- ALARM POLARITY SHOWN
- EACH OUTPUT PROVIDES STYLE Y SUPERVISION
- EACH OUTPUT RATED 1.2A MAX
- USE NOTIFICATION APPLIANCES COMPATIBLE WITH NOTIFICATION APPLIANCES POWER SUPPLY VOLTAGE RATING

### CONNECTIONS

Diagram 1. SETTINGS AND CONNECTIONS

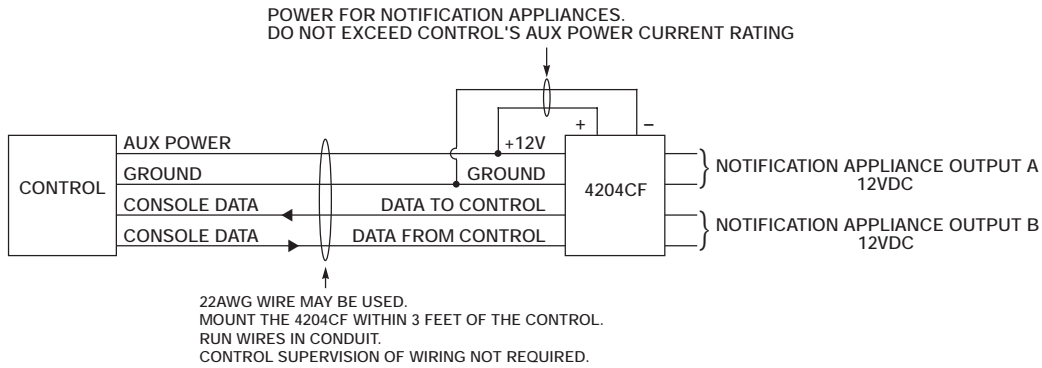


Diagram 2. MODULE AND NOTIFICATION APPLIANCES POWERED FROM CONTROL

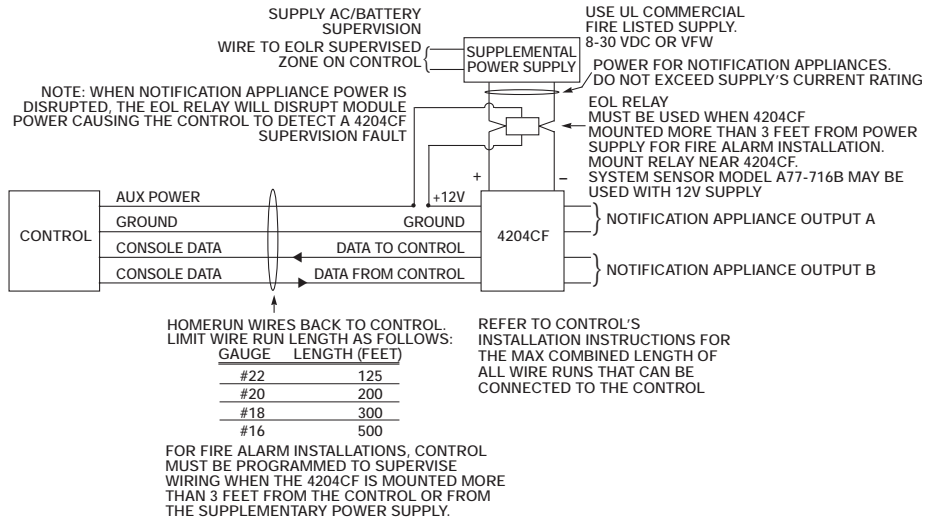


Diagram 3. MODULE POWERED FROM CONTROL, NOTIFICATION APPLIANCES POWERED FROM SUPPLEMENTARY SUPPLY

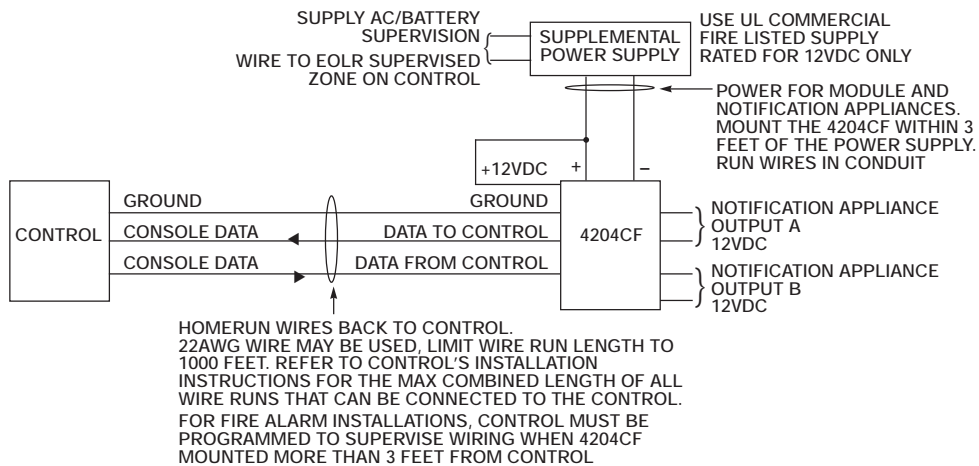


Diagram 4. MODULE AND NOTIFICATION APPLIANCES POWERED FROM SUPPLEMENTARY POWER SUPPLY



ALARM DEVICE MANUFACTURING COMPANY  
A DIVISION OF PITTSWAY CORPORATION  
165 Eileen Way, Syosset, New York 11791  
Copyright © 1996 Pittway Corporation