

## Features

- ◇ LED indication available.
- ◇ Built-in current-limiting resistor.

## Description

Directly controlled by a detector, C-9314P Passive Remote Indicator (the indicator) is designed to display fire signals of the detector in the distance. According to the indication, people in the field can evacuate or dispose the fire alarm immediately.

## Connection and Cabling

Terminals are shown in Fig. 1.

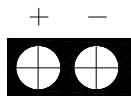


Fig. 1

“+”: To the anode of input line.

“-”: To the cathode of input line.

## Recommended Cabling

1.0mm<sup>2</sup> or above fire cable for all the terminals, subject to local codes.

## Installation

The indicator should be surface-mounted and embedded-mounted. When the cable conduit is on the surface, the indicator is installed directly on the wall, as shown in Fig. 2.

NOTE: Surface mounting is not applicable for UL-listed detectors.

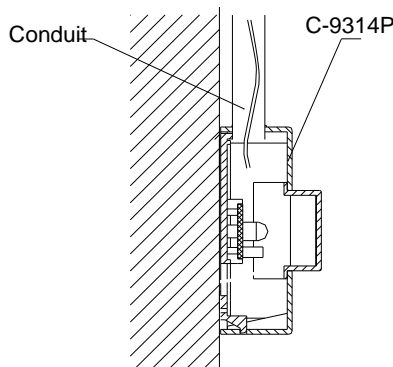


Fig. 2



When the cable conduit is embedded, the indicator needs the help of BP-9314P back plate shown as Fig. 3 to fix on the back box together. Among, hole 1 and 2 are used to install the plate and the back box. Hole 3 and 4 are used to assembly the plate and C-9314P passive remote indicator. The embedded mounting is shown in Fig. 4

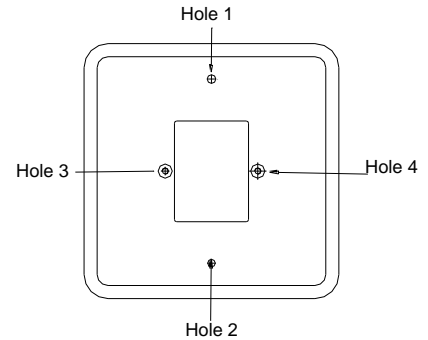


Fig. 3

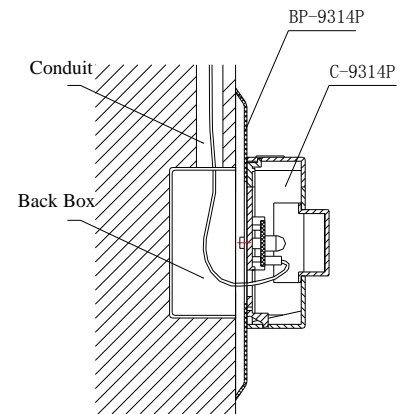


Fig. 4

Refer to BP-9314P Back Plate Installation and Operation Manual for its mounting.

## Application

The indicator can connect with conventional detectors like C-9101, C-9102, C-9103, DC-9101E, DC-9102E, DC-9103E, DC-M9102, DC-M9103, DC-M9101. Among those, DC-M9101, DC-M9102, and DC-M9103 are UL-certified. System connection is shown in Fig.5.

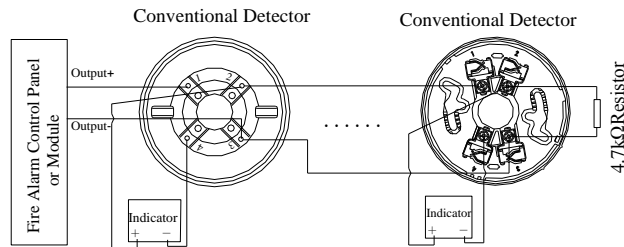


Fig. 5

The indicator can connect with intelligent detectors such as I-9101, I-9102, I-9103, DI-9101E, DI-9102E, DI-9103E, DI-M9102, DI-M9103, DI-M9101. Among those, DI-M9101, DI-M9102, and DI-M9103 are UL-certified. System connection is shown as shown in Fig. 6.

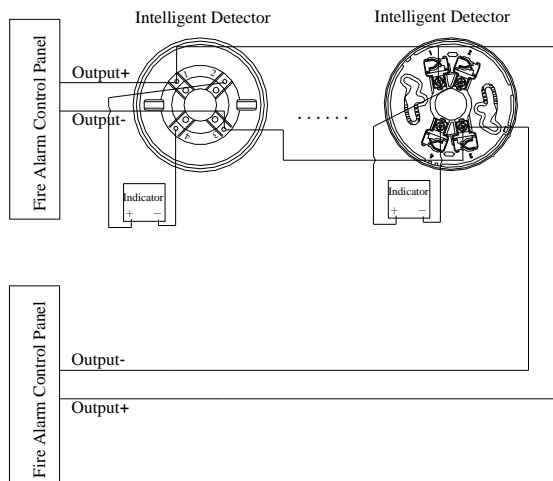


Fig. 6

## WEEE Information



2012/19/EU (WEEE directive): Products marked with this symbol cannot be disposed of as unsorted municipal waste in the European Union. For proper recycling, return this product to your local supplier upon the purchase of equivalent new equipment, or dispose of it at designated collection points.

## Specification

Operating Voltage	2.0VDC~3.0VDC
Operating Current	Standby current : 0mA Action current ≤30mA
Indicator	Red. It turns off when monitoring normally. Depending on the type of detector it's connected to, it may either illuminate steadily or flash when an alarm comes. Please refer to the installation manual of the smoke detectors it's connected to for alarm indication.
Operating Temperature	0°C ~ +37.8°C
Relative Humidity	≤85%, non condensing
Material and Color of Enclosure	ABS, White (RAL 9016)
Dimension (L×W×H)	64.5mm×64.5mm×31.4mm

## Accessories and Tools

Model	Name	Remark
BP-9314P	Back Plate	Order separately

## Limited Warranty

**GST** warrants that the product will be free of charge for repairing or replacing from defects in design, materials and workmanship during the warranty period. This warranty does not cover any product that is found to have been improperly installed or used in any way not in accordance with the instructions supplied with the product. Anybody, including the agents, distributors or employees, is not in the position to amend the contents of this warranty. Please contact your local distributor for products not covered by this warranty.

This Data Sheet is subject to change without notice. Please contact GST for more information or questions.

**Gulf Security Technology Co., Ltd.**

No. 80, Changjiang East Road, QETDZ, Qinhuangdao, Hebei, P. R. China 066004

Tel: +86 (0) 335 8502434 Fax: +86 (0) 335 8502532

[service.gst@fs.utc.com](mailto:service.gst@fs.utc.com) [www.gst.com.cn](http://www.gst.com.cn)