

Features

- ✧ Two photoelectric isolation RS485 interfaces
- ✧ Suitable for ring network

Description

- ✧ P-9940A is an optional card for GST200 series control panels, providing two photoelectric isolation RS485 interfaces.
- ✧ This card shouldn't be inserted and removed when it is energized.
- ✧ When entering calibration mode, pressing SK1 key (reset main board), it will display Color CRT OK if registration is successful.
- ✧ LEDs:
 - 1) Main board communication HL1 LED: Red. It flashes when communicates with main board normally.
 - 2) Master Interface (A1B1) communication HL2 LED: Green. It illuminates steadily when RS485 master interface is in normal communication and there is no message transmitting on the loop.
 - 3) Slave Interface 2 (A2B2) communication HL3 LED: Green. It illuminates steadily when RS485 master interface is in normal communication and there is no message transmitting on the loop.
- ✧ In the network made of those cards, A1B1 connects with the A2B2 of the neighbor control panel. Each of RS485 loop shouldn't exceed 1200m in all, supporting the network of maximum 32 GST series control panels.

Connection & Wiring

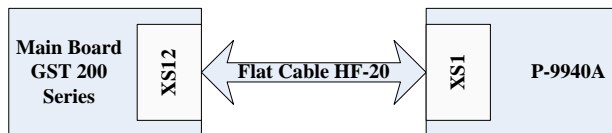


Fig. 1 Connecting with main board

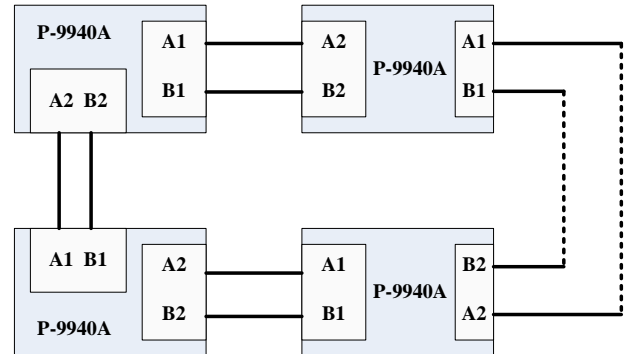
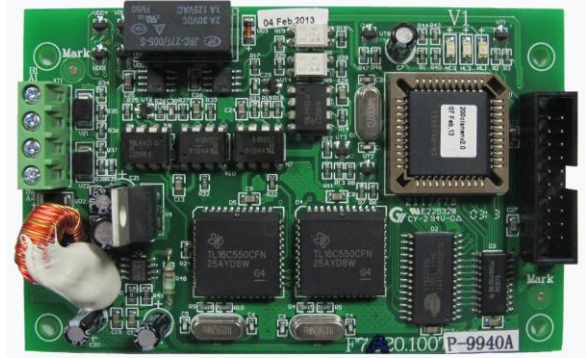
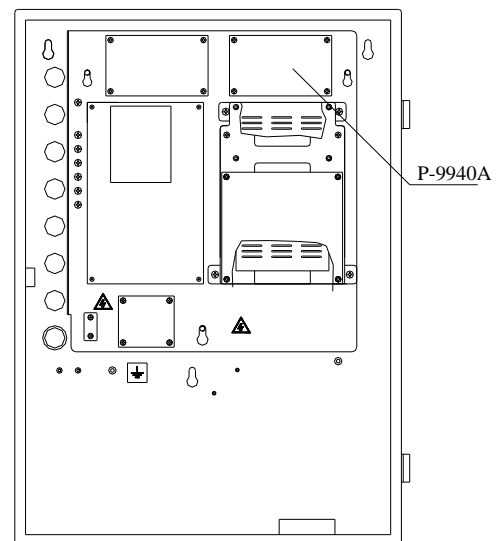


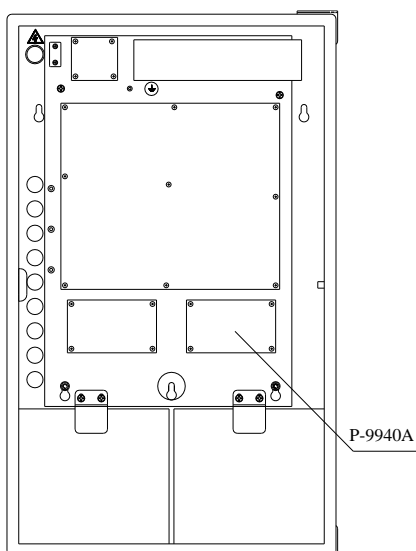
Fig. 2 Connecting with RS485 Ring Network

Note: Follow the Fig. 2 for connections, connecting terminals A1&A2, B1&B2, A2&A1 and B2 &B1 correspondingly.

Installation

Mounting methods can be different for different types of control panels.





Application

P-9940A Class A RS485 Network Card should be fixed in the cabinet using screws. These cards form ring network through twisted pair.

Specification

Comm. Interface	Two RS485 interfaces
Comm. Distance	The distance between two neighbor nodes is less than 1200m
Network Capacity	Maximum 32 GST series control panels for networking.
Transmission Medium	1.0 mm ² or above twisted pair, shielded twisted pair is recommend.
Baud Rate	2400bps
Ambient Temperature	0°C ~ +40°C
Relative Humidity	≤95%, non condensing

Trouble shooting

Problems	Solutions
Messages cannot be transmitted.	Check if the communication is normal according to status of LED HL2 and HL3. Check if the connection is correct according to the connection diagram.
HL1 LED doesn't illuminate	The control panel enters into calibration mode. Switch it off and then switch it on for registration again.

Limited Warranty

GST warrants that the product will be free from defects in design, materials and workmanship during the warranty period. This warranty shall not apply to any product that is found to have been improperly installed or used in any way not in accordance with the instructions supplied with the product. Anybody, including the agents, distributors or employees, is not in the position to amend the contents of this warranty. Please contact your local distributor for products not covered by this warranty.

This Data Sheet is subject to change without notice. Please contact GST for more information or questions.

Gulf Security Technology Co., Ltd.

No. 80, Changjiang East Road, QETDZ, Qinhuangdao, Hebei, P. R. China 066004

Tel: +86 (0) 335 8502434 Fax: +86 (0) 335 8502532

service.gst@fs.utc.com www.gst.com.cn