

DB-M01 Common Detector Base



Description

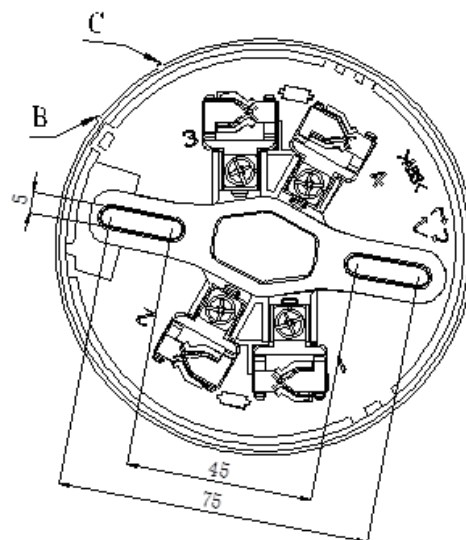
A common base for both GST addressable and conventional DI/DC series UL listed detectors, provides mechanical fixing and electrical connection. There is no electrical component on the base.

The DB-M01 base has 4 terminals marked with 1-4. For the detail connections, please refer to the manual of installed detector.

Technical Specification

- Compatible Devices:
DI-M9101, DI-M9102, DI-M9103
DC-M9101, DC-M9102, DC-M9103
- Material: ABS
- Dimension: 100mm(D) X 16.5mm(H)
- WEEE & RoHS Compliant

Installation Details



Order Information

Part No.	DB-M01
Device Name	Common Detector Base
Product No.	30205767