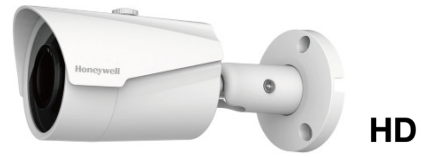


# HBD2PER1

Network TDN 1080p IR Bullet Camera







OPERATIONAL	
VIDEO STANDARD	NTSC/PAL
SCANNING SYSTEM	Progressive scan
IMAGE SENSOR	1/2.9" 2 MP CMOS
NUMBER OF PIXELS (H x V)	1920 x 1080
MINIMUM ILLUMINATION	0.08 lux color @ F2.0 (Color, 1/3s, 30 IRE) 0 lux B/W with IR LEDs on @ F2.0
S/N RATIO	> 45 dB
ELECTRONIC SHUTTER SPEED	1/3(4) - 1/100,000 s
IR DISTANCE	Up to 98 ft (30 m), depending on scene reflectance
SMART IR	Auto/Manual
DAY/NIGHT	Auto (ICR)/Color/BW
BACKLIGHT COMPENSATION	BLC/HLC/DWDR
WHITE BALANCE	Auto/Natural/Street Lamp/Outdoor/Manual/ Customized Region
GAIN CONTROL	0~100
NOISE REDUCTION	3D DNR
PRIVACY MASKING	Up to 4 configurable zones
MOTION DETECTION	Up to 4 configurable zones
REGION OF INTEREST	Up to 4 configurable zones
DIGITAL ZOOM	16x
LENS	3.6 mm, fixed, F2.0
ANGLE OF VIEW	83° (H), 53° (V)
VIDEO	
VIDEO COMPRESSION	H.265/H.264H/Smart Codec/MJPEG (Sub Stream)
RESOLUTION	1080p (1920x1080), SXGA (1280x1024), 1.3 MP (1280x960), 720p (1280x720), D1 (704x480/576), VGA (640x480), CIF (352x240/288)
FRAME RATE	2 MP at 1 - 25/30fps D1/CIF at 1 - 25/30fps
BIT RATE CONTROL	CBR/VBR
BIT RATE	H.265: 12K - 6400 Kbps H.264: 32K - 10240 Kbps
NETWORK	
ETHERNET	RJ-45 (10/100BASE-T)
SUPPORTED WEB BROWSERS	Internet Explorer (11.0+)
SUPPORTED OS	Windows® 7 32-bit/64-bit; Windows® 10 32-bit/64-bit

NETWORK (CONT'D)	
PROTOCOLS*	HTTP; HTTPS; TCP; ARP; RTSP; RTP; RTCP; UDP; SMTP; DHCP; DNS; PPPoE; IPv4/v6; QoS; UPnP; NTP; Bonjour; IEEE 802.1x; Multicast; ICMP; IGMP; TLS
INTEROPERABILITY	ONVIF Profile S/Q
MAXIMUM USER ACCESS	20 users
SECURITY	User account and password protection HTTPS, IP Filter, Digest authentication, User access log, TLS1.2 only, AES-128/256, SSH/Telnet closed, sFTP by default, PCIDSS compliance
EVENT	Network disconnection, IP address conflict, illegal access, video tampering, motion detection
EVENT NOTIFICATION	Record (NAS and FTP), email, snapshot
ELECTRICAL	
POWER SUPPLY	PoE (802.3af) Class 0, 12 VDC
POWER CONSUMPTION	5.03 W max. (IR LEDs on)
MECHANICAL	
DIMENSIONS	6.49" x 2.79" (164.8 mm x 71.0 mm)
PRODUCT WEIGHT	0.84 lb (0.38 kg)
PACKAGE WEIGHT	0.97 lb (0.44 kg)
CONSTRUCTION	Die-cast aluminum housing with powder coat
CONSTRUCTION COLOR	RAL 9003 (White)
ENVIRONMENTAL	
OPERATING TEMPERATURE	-22°F to 131°F (-30°C to 55°C)
STORAGE TEMPERATURE	-22°F to 131°F (-30°C to 55°C)
RELATIVE HUMIDITY	Less than 95%, non-condensing
INGRESS PROTECTION	IP66
REGULATORY	
EMISSIONS	FCC Part 15B, EN 55032
IMMUNITY	EN 50130-4
SAFETY	EU: EN 60950-1 North America UL listed to UL/CSA 60950-1
ROHS	EN 50581

\* Some development may be required in specific user cases to support some of these protocols in the field as they mature over time.

# Network TDN 1080p IR Bullet Camera

## RECOMMENDED ACCESSORIES

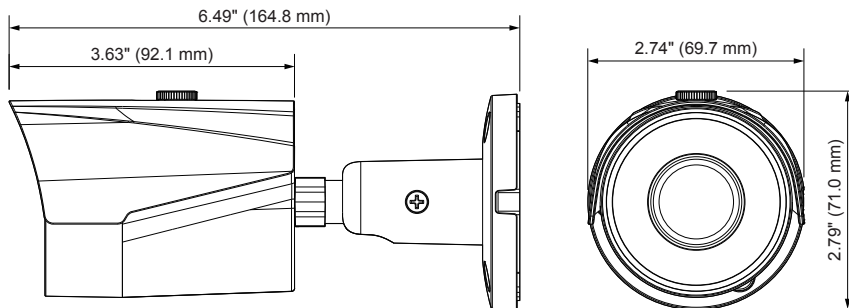
SYSTEM COMPATIBILITY		MOUNTS AND ACCESSORIES		
HEN*4	8/16/32/64-channel Performance Series 4K NVRs (H.264 and H.265)	HQA-PM2**		Pole Mount Bracket
HEN*2	4/8/16-channel Performance Series NVRs (H.264)	HB34S2-CM**		Corner Mount Bracket
		HBS2-BB		Junction Box
		HEJB		Junction Box

\*\* The HBS2-BB or HEJB junction box must be used when installing the camera to HQA-PM2 or HB34S2-CM.

## ORDERING

HBD2PER1	Network TDN 1080p IR Bullet Camera, 1/2.9" CMOS, 3.6 mm Fixed, 18 IR LEDs, PoE, IP66, H.265/H.264/Smart Codec
----------	---

## DIMENSIONS



### Find out more

[www.security.honeywell.com/](http://www.security.honeywell.com/)

### Honeywell Commercial Security

715 Peachtree St. NE  
 Atlanta, GA 30308  
 1.800.323.4576  
[www.honeywell.com](http://www.honeywell.com)

ONVIF and the ONVIF logo are trademarks of ONVIF Inc. Honeywell reserves the right, without notification, to make changes in product design or specifications.

L/HBD2PER1D/D | 04/19  
 © 2019 Honeywell International Inc.

